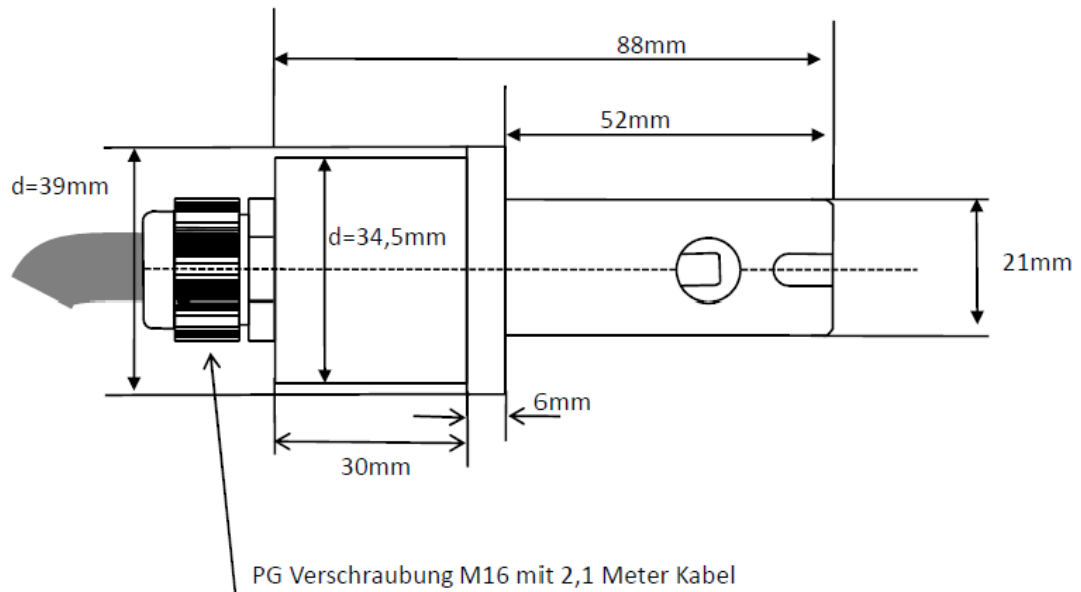


CSW_Cond-C1-PT100-03



1.1 Description

K=1.0 with PT100, DN32 PVC-U with graphite electrode and 2.1m cable set, 0...5000 μ S/cm, max. 60°C

1.2 Connectors and Indication-/Operation-Elements

no DocCompDescr available

1.3 Input-/Output Scheme

The following diagram shows the adaption of the control unit. To avoid overlapping, some wires are displayed interrupted and dashed.

no DocCompAdapt available

1.4 Technical Data

1.4.1 User Notes

- Blinking behavior StateLED:
Each Morse code is 3 seconds long!
not initialized = flashing continuously at approx. 5Hz
no communication = short-long-short
too little communication = short-short-short
disturbed communication = short-long-long
OK = continuous flashing at approx. 1Hz (0.6-1.5Hz)

1.5 History

On the following page you will find a list of changes that have been made to the product.

1.5.1 History

| Date | Entry scope (HW, SWappl, SWapi, Release) | Entry type (enhancement, improvement, bugfix, release) | Version | Status (development, implemented, tested) | Responsible | Reason for the modification | Items of modification | Impact for (end-)customer | Comment | Location in model/source |
|------------|--|---|---------|--|-------------|-----------------------------|-----------------------|---------------------------|---------|-----------------------------|
| xxxx-xx-xx | | Release | 0.99 | Tested | NSt | | | | | |

For questions please contact:

| | | | |
|--------------|--|----------------------|--|
| emBrick GmbH | Alfred-Nobel-Straße 2 D-55411 Bingen am Rhein | +49 (0)6721-48035-70 | https://www.embrick.de/ https://www.embrick.de/shop/ support@embrick.de |
|--------------|--|----------------------|--|