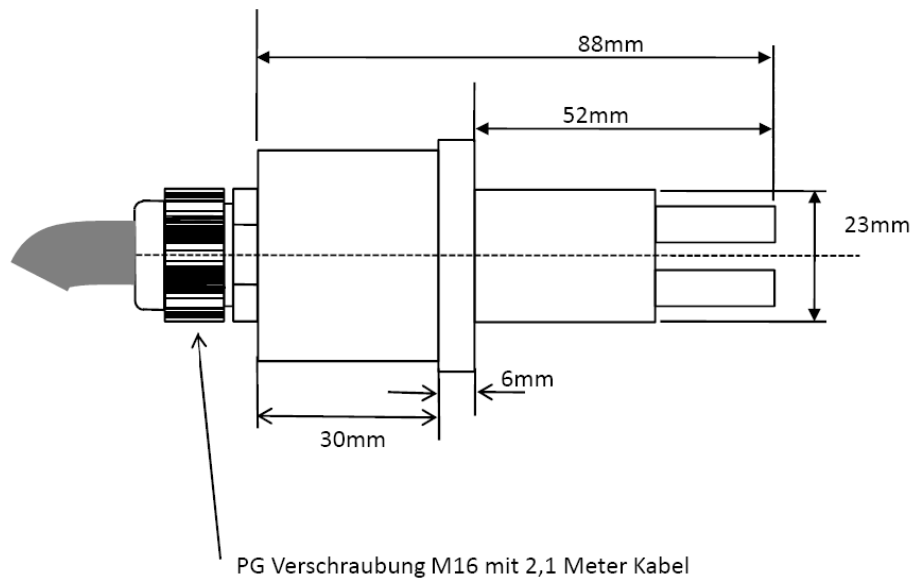


CSW_Cond-C01-PT100-03



1.1 Description

K=0.1 with PT100, DN32 PVC-U with stainless steel electrodes, 2.1m cable set, 0...500 μ S/cm, max. 60°C

1.2 Connectors and Indication-/Operation-Elements

no DocCompDescr available

1.3 Input-/Output Scheme

The following diagram shows the adaption of the control unit. To avoid overlapping, some wires are displayed interrupted and dashed.

no DocCompAdapt available

1.4 Technical Data

1.4.1 User Notes

- Blinking behavior StateLED:
Each Morse code is 3 seconds long!
not initialized = flashing continuously at approx. 5Hz
no communication = short-long-short
too little communication = short-short-short
disturbed communication = short-long-long
OK = continuous flashing at approx. 1Hz (0.6-1.5Hz)

1.5 History

On the following page you will find a list of changes that have been made to the product.

1.5.1 History

Date	Entry scope (HW, SWappl, SWapi, Release)	Entry type (Enhancement, Improvement, Bugfix, Release)	Version	Status (development, implemented, tested)	Responsible	Reason for the modification	Items of the modification	Impact for (end-)customer	Comment	location in model/source
xxxx-xx-xx		Release	0.99	tested	NSt					

For questions please contact:

emBrick GmbH	Alfred-Nobel-Straße 2 D-55411 Bingen am Rhein	+49 (0)6721-48035-70	https://www.embrick.de/ https://www.embrick.de/shop/ support@embrick.de
--------------	--	----------------------	---